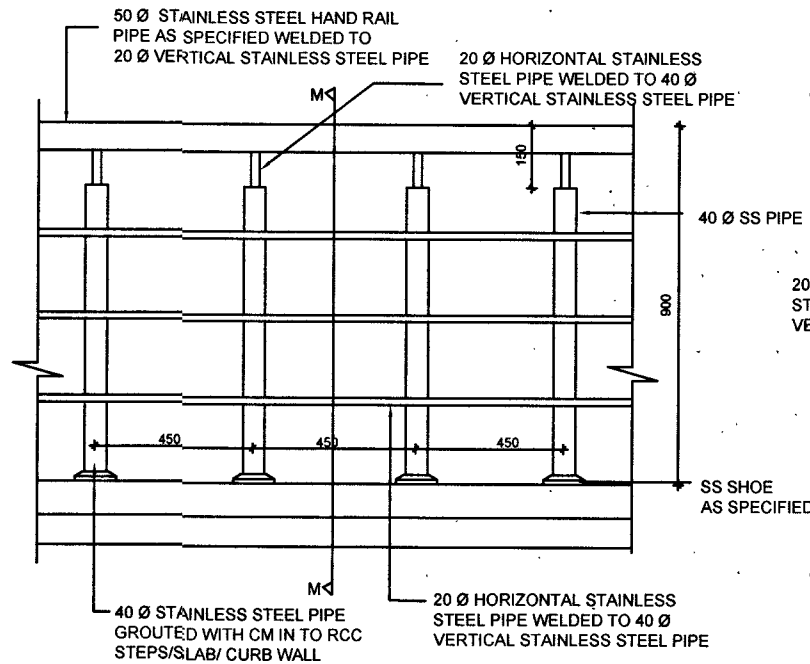
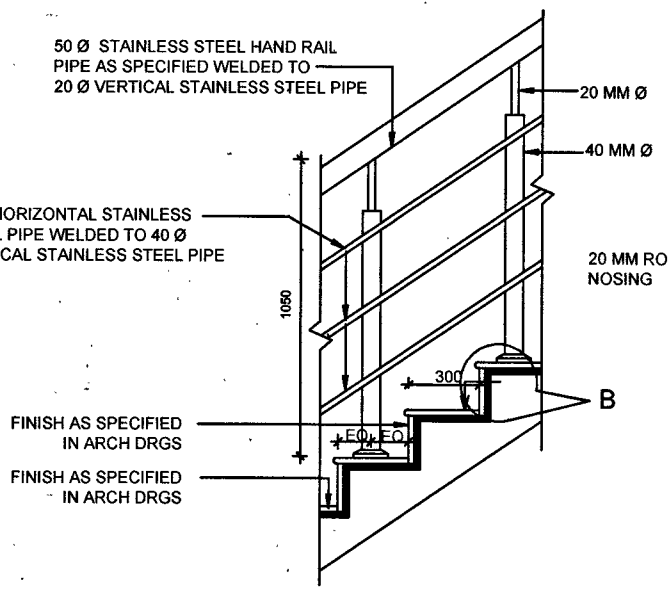


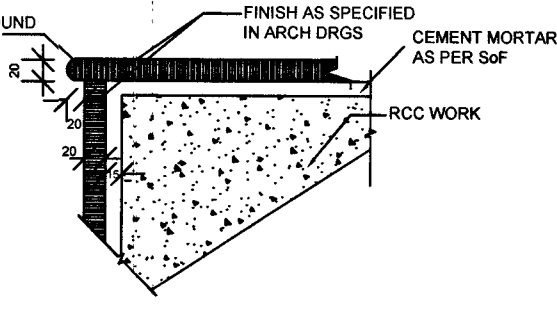
SECTION M-M



ELEVATION OF SS RAILING

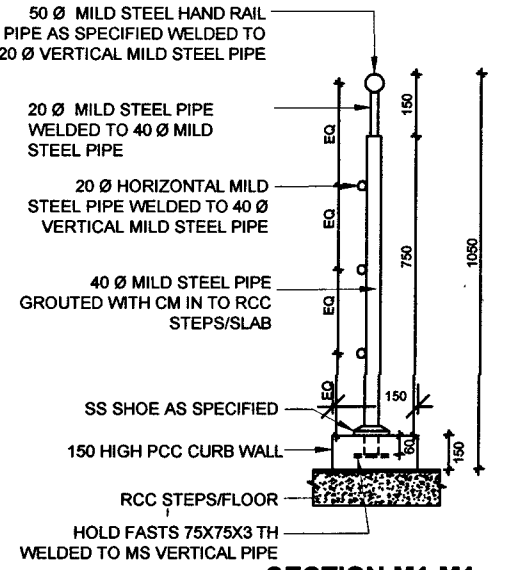


DETAIL FOR STAIRCASE

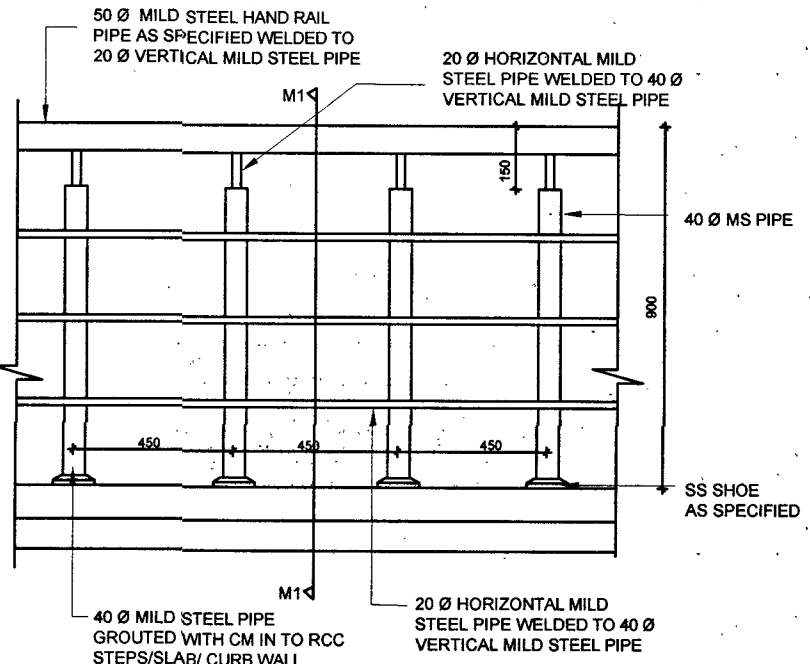


DETAIL AT 'B'

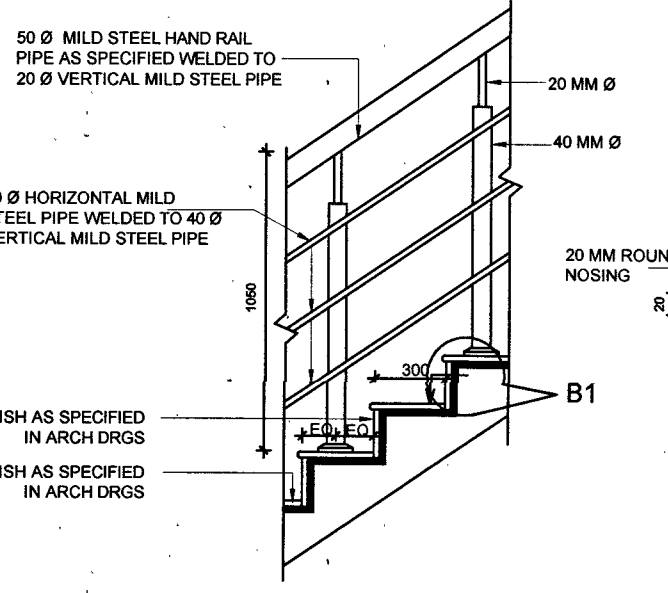
- NOTES:**
1. CONTRACTOR TO CHECK AND VERIFY ALL DIMENSIONS BEFORE EXECUTION OF THE WORK.
 2. ALL DIMENSIONS ARE GIVEN IN MILLIMETERS.
 3. FIGURE DIMENSIONS SHALL BE FOLLOWED.
 4. ALL EXPOSED M.S. SURFACES TO BE PAINTED AS SPECIFIED.



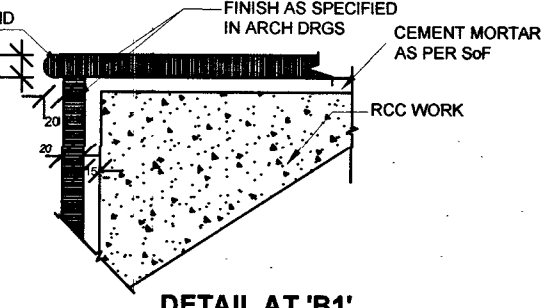
SECTION M1-M1



ELEVATION OF MS RAILING

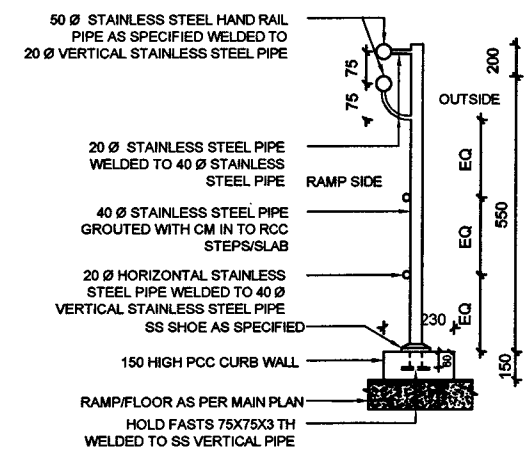


DETAIL FOR STAIRCASE



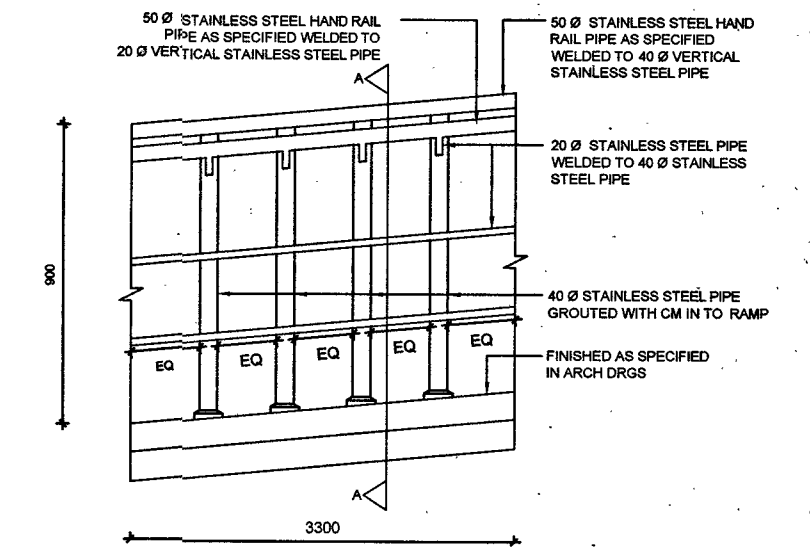
DETAIL AT 'B1'

ARCH DRAWINGS PREPARED UNDER CONSULTANCY BY M/S THE DESIGN FACTORY, 293, CHHOTI BARANDARI PART-1 JALANDHAR,PUNJAB THE SAME ARE SIGNED BY US AS PER E-IN -C'S BRANCH POLICY LETTER NO.08/2017 ISSUED UNDER E2 WORKS (PPC)SUB DTE.DTE OF WORKS ,LETTER NO. A/00157/23-1/POL/E2W(PPC) DATED 02 JULY 2017



SECTION A-A

900 HIGH SS RAILING FOR ACCESSIBLE RAMP (TYPE-A)



ELEVATION OF SS RAILING FOR ACCESSIBLE RAMP (TYPE-A)

SL NO	DATE	DESCRIPTION	INITIAL
REVISION			

TYPICAL DETAILS OF SS RAILING & MS RAILING

DATE	13/03/2025	CHIEF ENGINEER	SHEET NO
DRAWN		JALANDHAR ZONE	01
CHKD			01
SCALE	AS SHOWN	DRG NO : CEJZ / TD-103 / 2025	

CONSULTANTS:

 THE DESIGN FACTORY

293 CHHOTI BARANDARI PART 1 - JALANDHAR +91 9879602349 thedesignfactory7@gmail.com

 AAD (ARCH) DIRECTOR (ARCH) for CHIEF ENGINEER